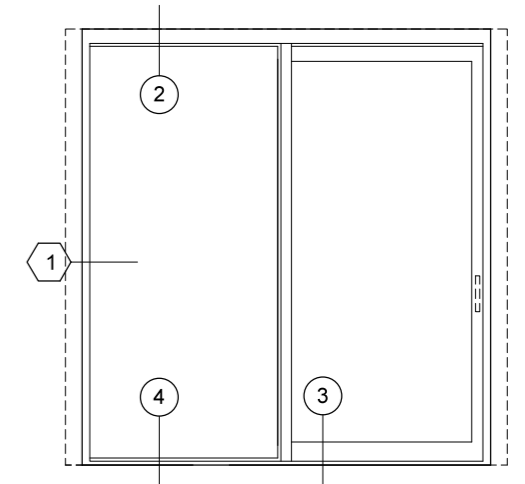


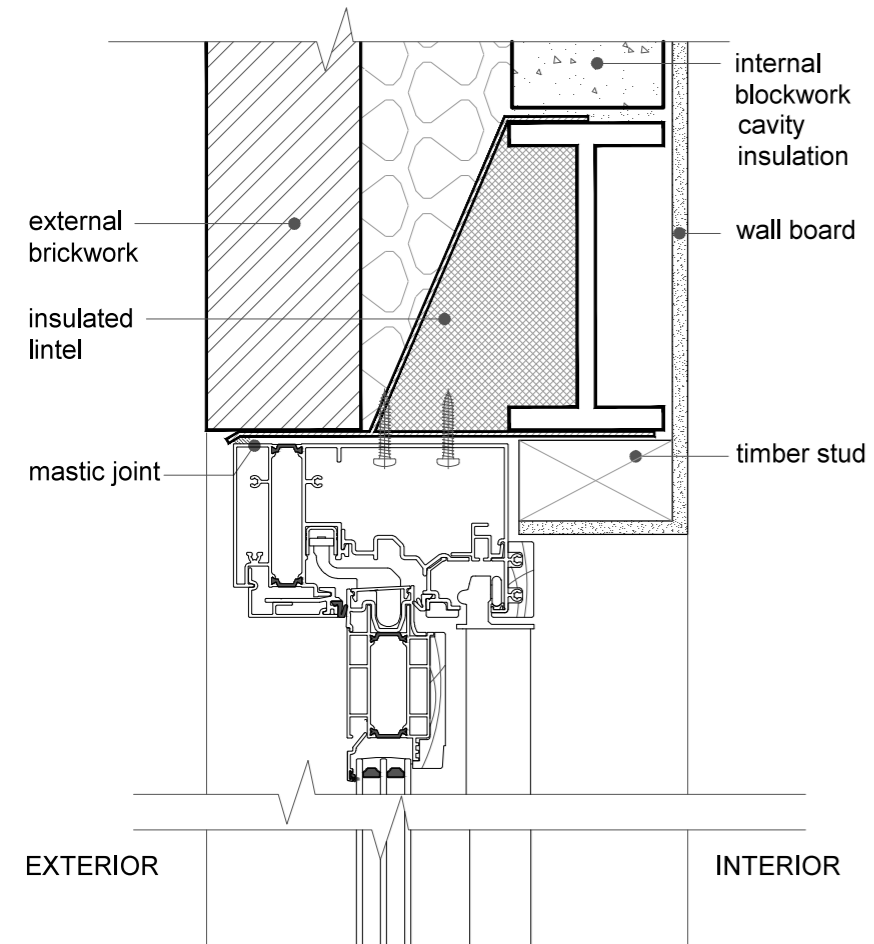
1 jamb detail
1:5



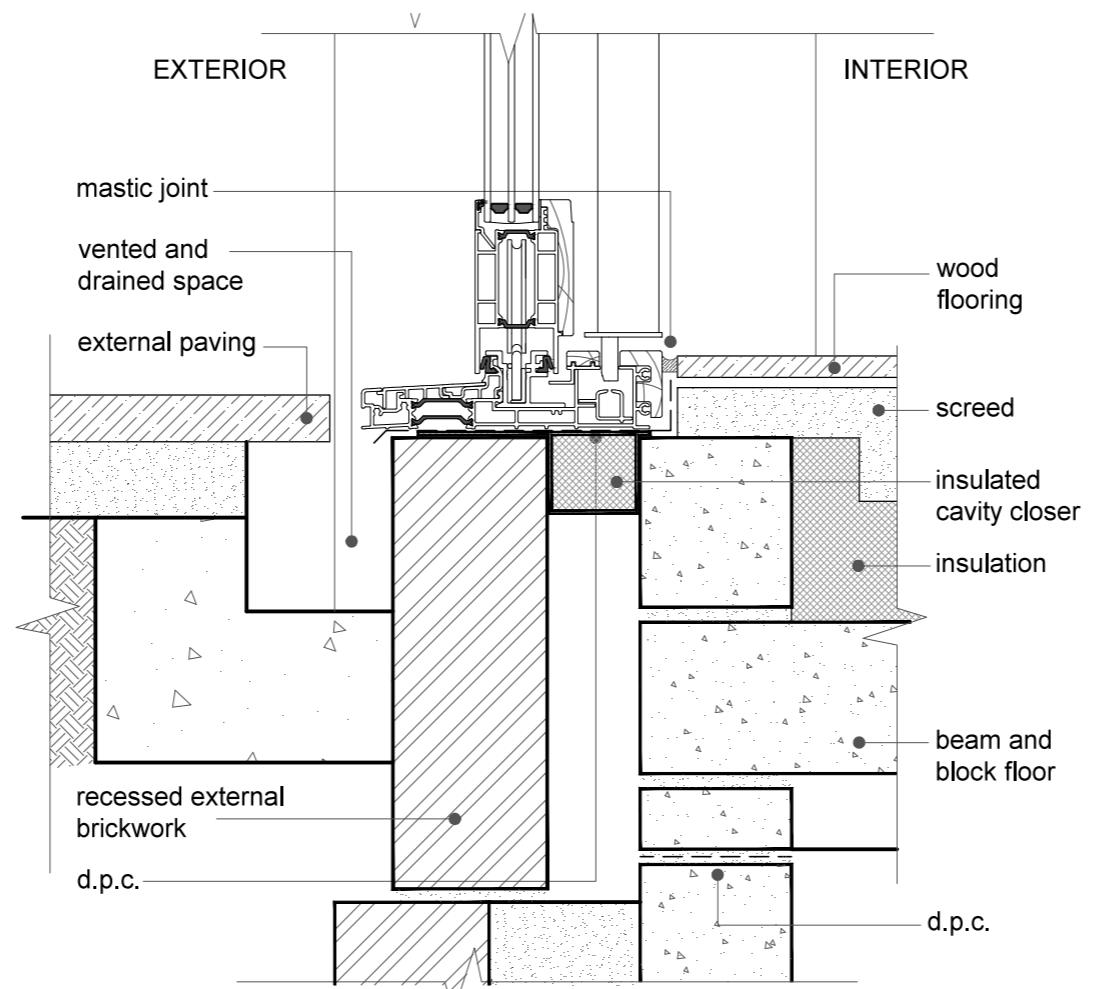
elevation key
1:50

	clearance
head	10mm
sill	10mm
jamb	10mm

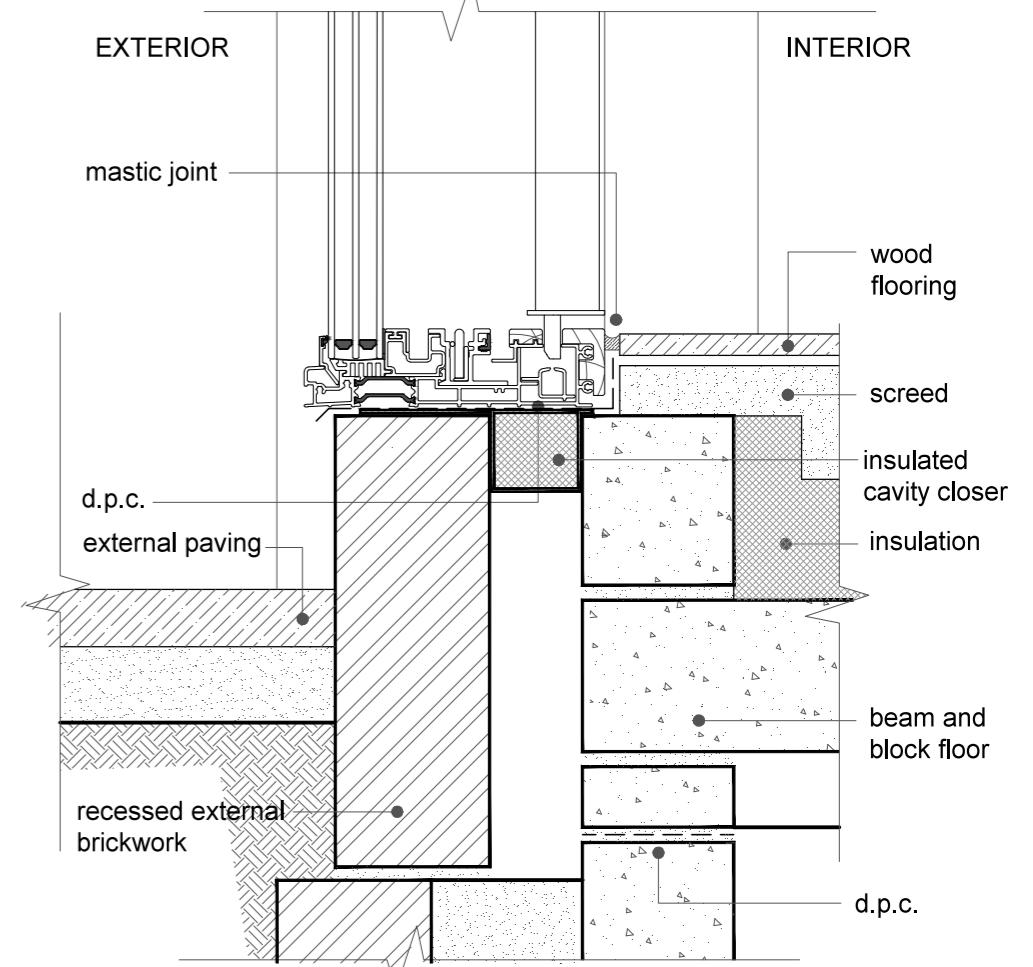
typical rough opening clearances



2 head detail - steel lintel
1:5



3 sill detail - level paving
1:5



4 sill detail - step down
1:5

Structural lintels should be fabricated and installed in accordance with a certified engineer's specifications. Steel lintels are strongly recommended for openings wider than 3.6M. For further information on lintel design refer to Centor Engineering Guide.